

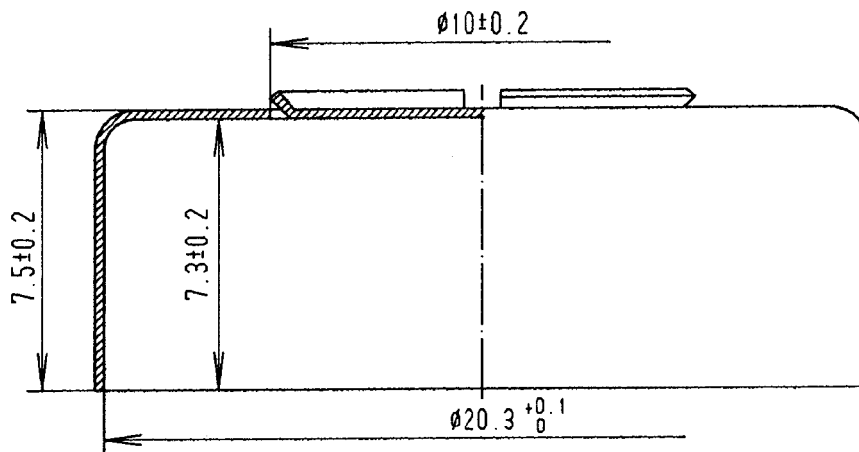
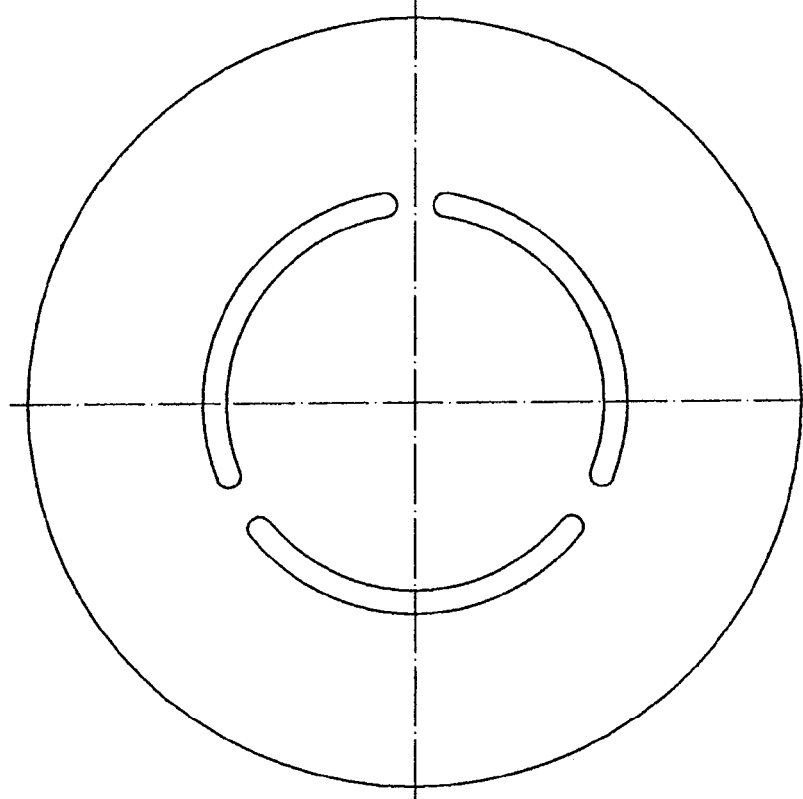
DESCRIPTION: All-alu-cap

CUSTOMER DRAWING

PRODUCT NUMBER: CT020.0002

Product Number old: AM2012

scale 1:1



PARTS LIST	pos.	ref. no.	description	material	remarks	MODIFICATION	index	modification	date	name
							B	general revision	08.08.05	Amschl
A	total revision	14.07.04	Gilpert							

DRAWING	TRACED: Gilpert	DATE: 14.07.04	CHECKED DATE 10.08.05	SIGNATURE:	SCALE: 5:1, 1:1
	DERIVED FROM DRAWING AM2012 (HPD)	DATED 24.06.99	FILE-REF. (CAD-no.) A607K	PROJECTION:	
	REPLACES PRODUCT DRAWING -----	DATED -----	MATERIAL: AL (0.20±0.02)		
VALIDITY	VALID DATE 10.08.05		AUTHORIZED by	SIGNATURE	