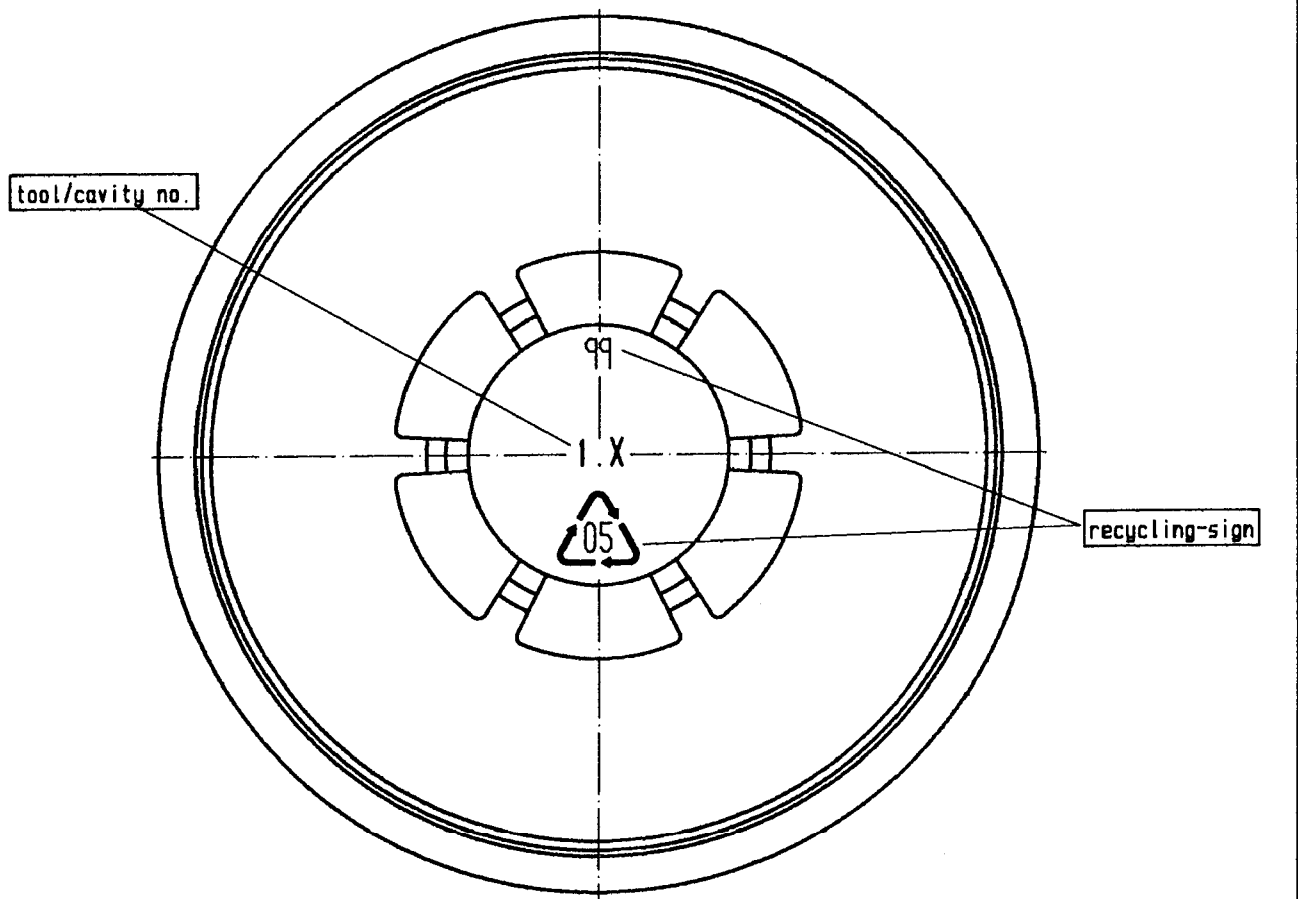
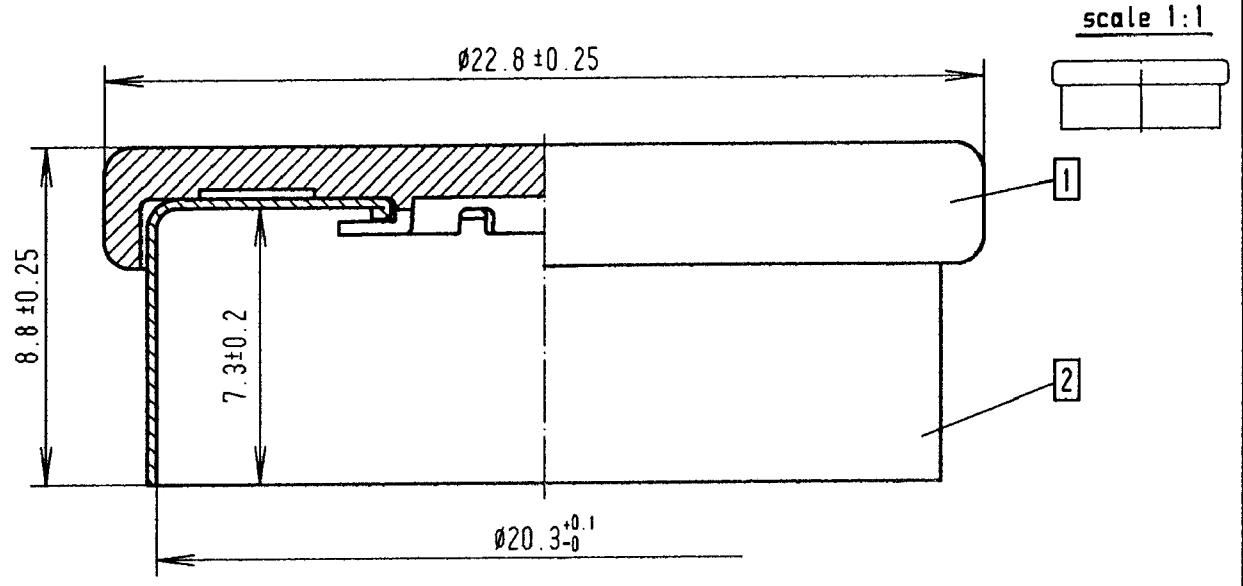


DESCRIPTION: Flip cap      CUSTOMER DRAWING      PRODUCT NUMBER: FC20.0016  
 Product Number old: KK2027 (HPD)



PARTS LIST	pos.	ref.no.	description	material	remarks	MODIFICATION			
							index	modification	date
2	AHC20.0005	All alu.cap	AL (0.20±0.02)						
1	PD20.0003	plastic disc	PP			A	total revision	11.04.05	Gilpert

DRAWING	TRACED: Gilpert    DATE: 11.04.05    CHECKED DATE <i>12.04.05</i> SIGNATURE: _____    SCALE: 5:1, 1:1
	DERIVED FROM DRAWING KK2027 (HPD)    DATED 29.11.96    FILE-REF. (CAD-no.) A419K    PROJECTION:
	REPLACES PRODUCT DRAWING -----    DATED -----    MATERIAL: -----
VALIDITY	VALID DATE <i>12.04.05</i> AUTHORIZED by _____    SIGNATURE _____