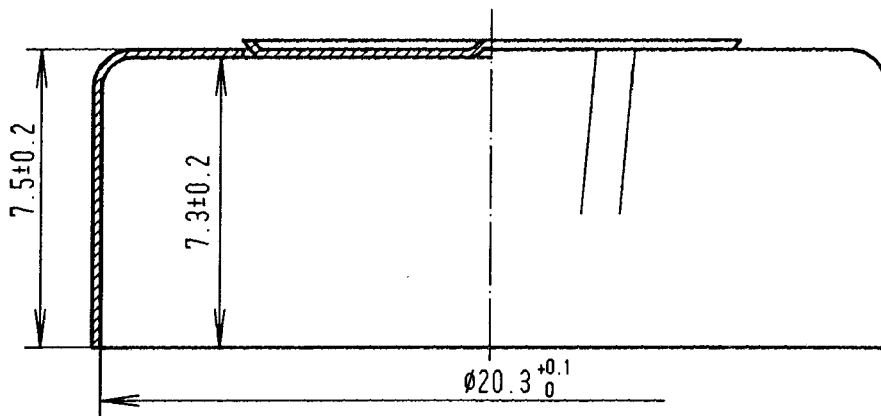
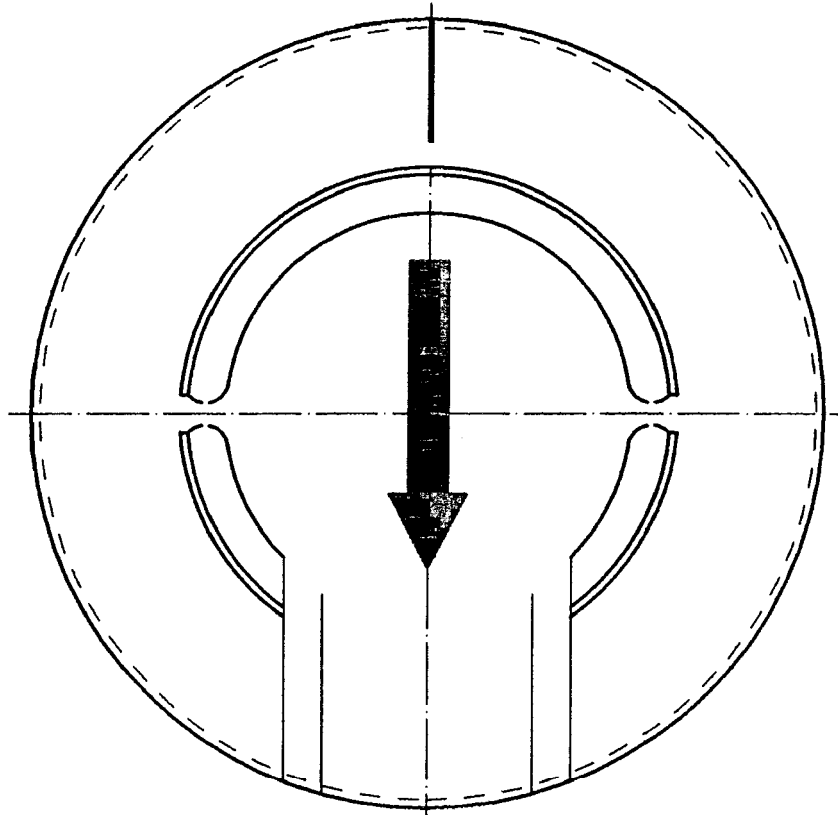


DESCRIPTION: All alu-cap

CUSTOMER DRAWING

PRODUCT NUMBER: ST020.0004  
Product Number old: AG2000

scale 1:1



PARTS LIST	pos.	ref.no.	description	material	remarks	MODIFICATION	index	modification	date	name
								B	general revision	20.07.05
						A	total revision	26.10.04	Gilpert	

DRAWING	TRACED: Gilpert DATE: 26.10.04			CHECKED DATE 08.09.05 SIGNATURE: _____			SCALE: 5:1, 1:1	
	DERIVED FROM DRAWING AG2000 (HPD)			DATED 18.12.96		FILE-REF. (CAD-no.) A110K		PROJECTION:
	REPLACES PRODUCT DRAWING -----			DATED -----		MATERIAL: AL (0.20±0.02)		
VALIDITY	VALID DATE 15.08.05			AUTHORIZED by _____			SIGNATURE _____	